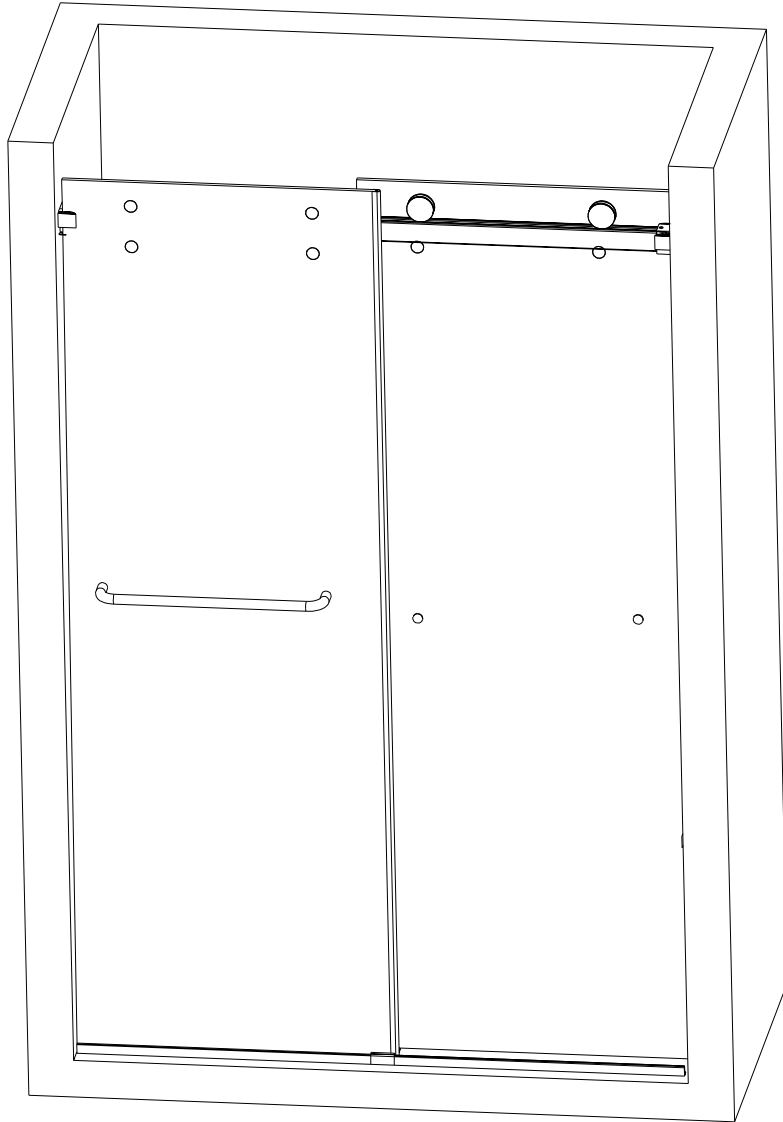


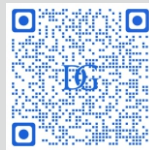
P-LUNA

GLASS & HARDWARE

INSTRUCTION MANUAL



2 People Required



**Scan for
Installation
Video**

Please keep this manual and the product code number for future reference and to order replacement parts if necessary

GENERAL INSTRUCTIONS

- Please read this manual carefully and thoroughly before proceeding.
- For your safety, it is recommended that you wear safety glasses at all times during installation.

INSTALLATION OVER CERAMIC TILES

- If you are installing the shower door over ceramic tiles, make sure that the tiles lay completely under the wall jamb.

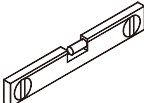
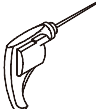
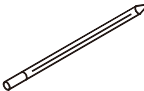

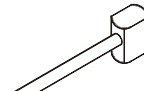

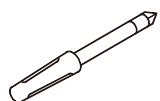

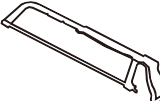

NOTICE

- Some models are equipped with clear sealing gaskets.

CARE FOR YOUR SHOWER DOOR

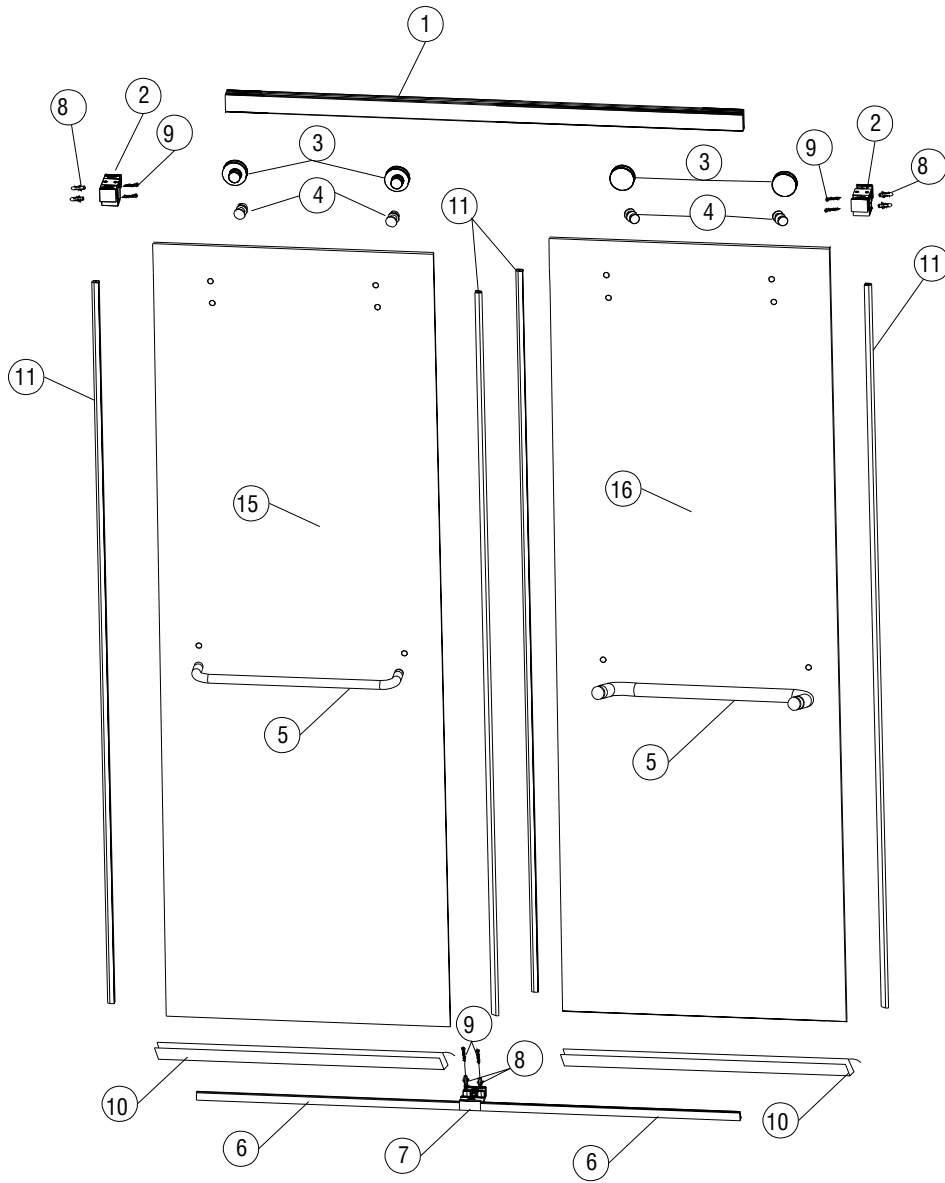
- Do not use scouring powder pads or sharp instruments on metal pieces or glass panels.
- To keep the panels and metal parts looking new, occasionally wipe them down with a mild soap diluted in water.
- We recommend wiping the glass panels with a squeegee after each use.

TOOLS REQUIRED

 SPIRIT LEVEL	 POWER DRILL	 PENCIL	 SILICONE	 MALLET
 TAPE MEASURE	 SCREW DRIVER	 1/4"(6mm) DRILL BITS	 HACKSAW	 SAFETY GLASSES

* Use a 1/4"(6mm) drill bit for ceramic when drilling into ceramic tiles.

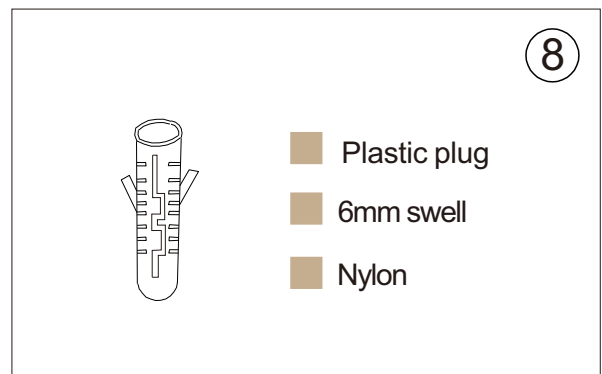
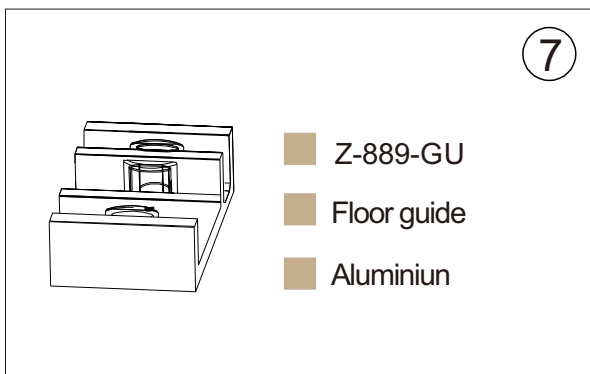
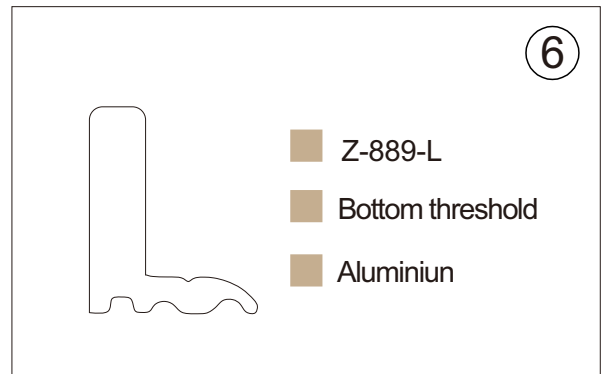
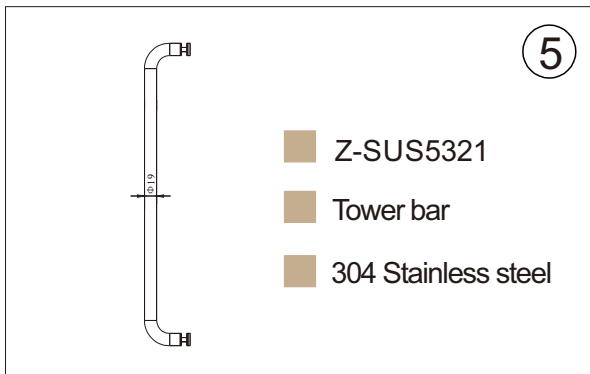
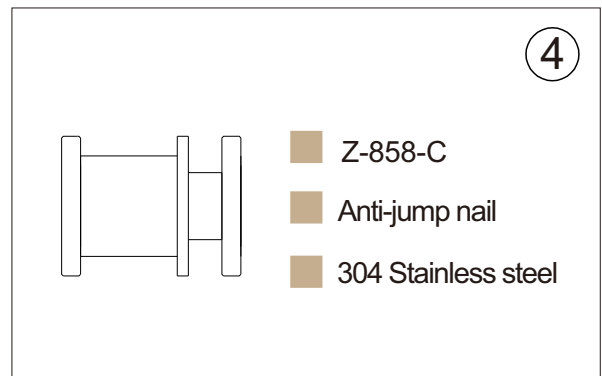
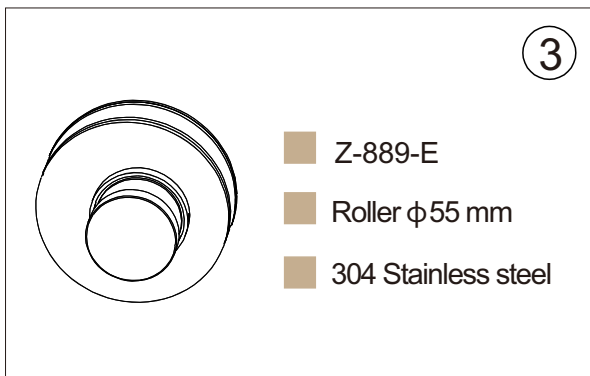
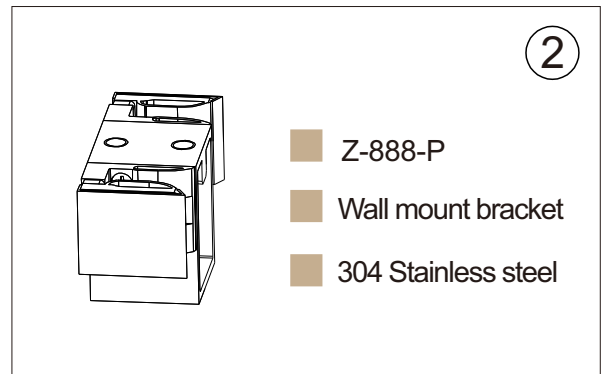
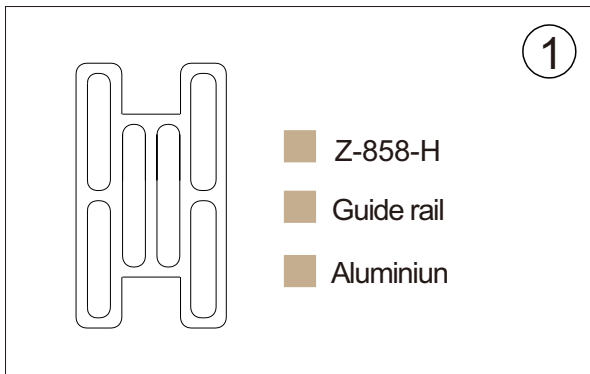
PARTS LIST



ITEM	PARTS	DIAGRAM	QTY
①	Guide rail		1
②	Wall mount bracket		2
③	Roller		4
④	Anti-jump nail		4
⑤	Tower bar		2
⑥	Bottom threshold		2
⑦	Floor guide		1
⑧	Plastic plug		8

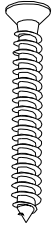
ITEM	PARTS	DIAGRAM	QTY
⑨	Self-tapping screw		8
⑩	Bottom seal		2
⑪	Side seal		4
⑫	Tighten tool		1
⑬	Tighten tool		1
⑭	Tighten tool		1
⑮	Clear glass		1
⑯	Clear glass		1

PARTS SHOW



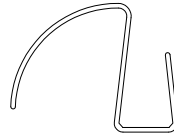
PARTS SHOW

9



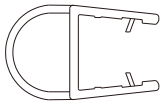
- Self-tapping screw
- M5*51mm
- 304 Stainless steel

10



- Z-5736
- Bottom waterproof seal
- PVC

11



- Z-5708
- Side waterproof seal
- PVC

12



1.5mm

- Allen tighten tool
- 1.5mm
- Iron

13



- Z-808-T
- Tighten tool
- Iron

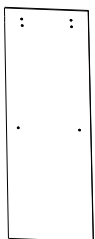
14



3.9mm

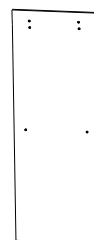
- Allen tighten tool
- 3.9mm
- Iron

15



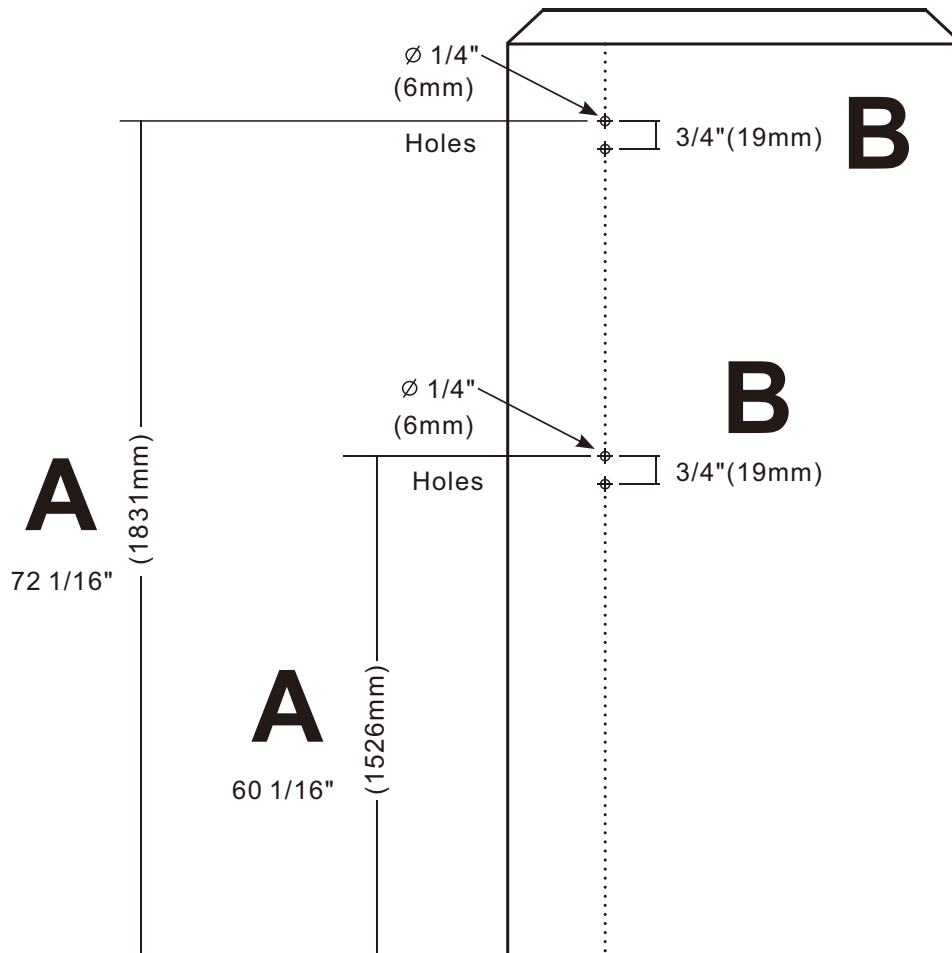
- 10NA
- Clear glass
- Nano-coating

16



- 10NA
- Clear glass
- Nano-coating

DRILLING GUIDE



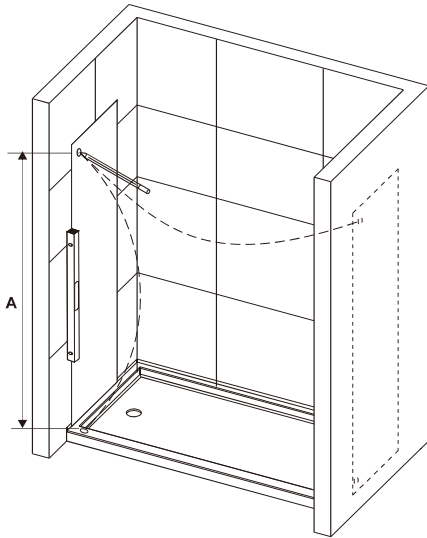
Product Height	A	B
64"(1625mm)	60 1/16"(1526mm)	3/4"(19mm)
76"(1930mm)	72 1/16"(1831mm)	

* A=Floor to First Hole

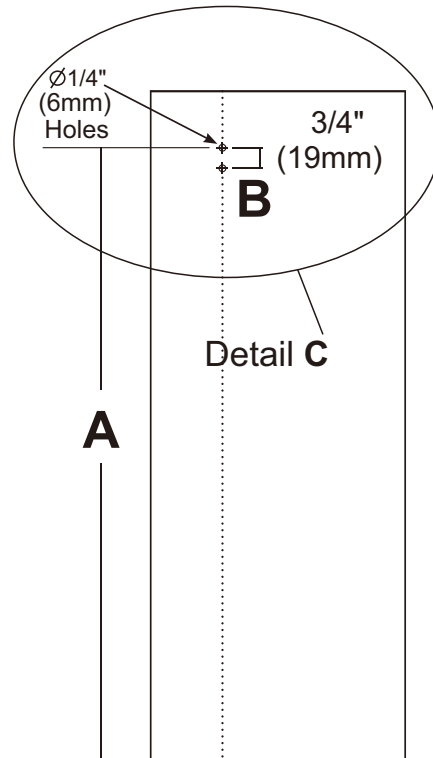
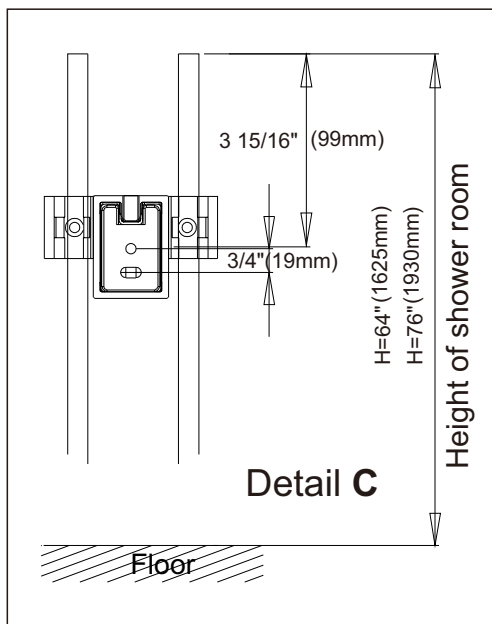
* Please contact your local dealer if the size is not listed.

ATTENTION

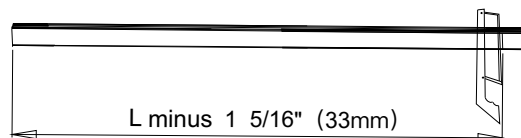
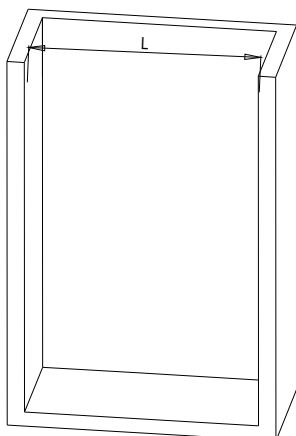
Please verify the measurements with a tape
Measure before drilling any holes in the wall.



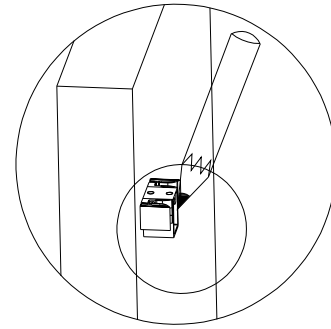
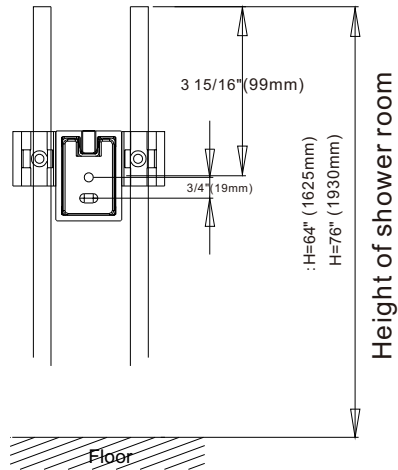
Product Height	A	B
64"(1625mm)	60 1/16" (1526mm)	3/4"(19mm)
76"(1930mm)	72 1/16" (1831mm)	



INSTALLATION INSTRUCTIONS

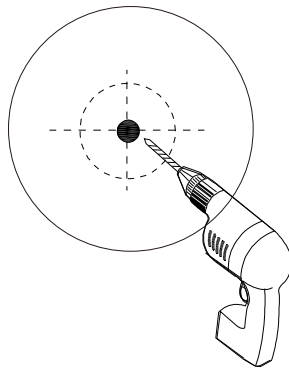


Step 1: Measure the width of the shower room,
Cut the length of the guide rail.
L minus 1 5/16" (33mm)



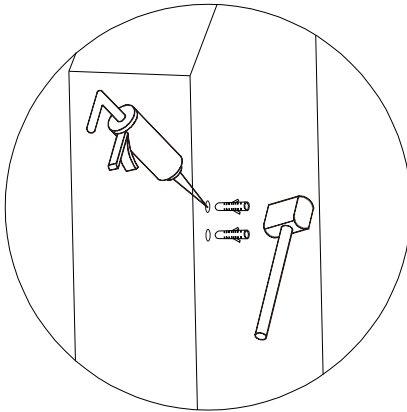
Step 3: Install the guide rail end cap and mark the screw hole position with a pencil.

Step 2: Measure the installation position of the guide rail end cap, use a level to adjust the level of the guide rail and ensure parallelism total.

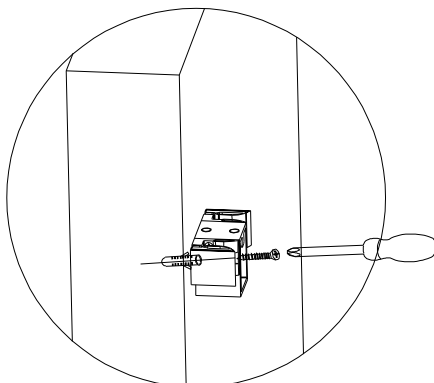


NOTE: When drilling into ceramic, glass or stone use a 1/4" MASONRY drill bit, When installing on fiberglass or acrylic use a 1/8" drill bit and discard the wall plugs. When installing on Fiberglass or Acrylic the side jambs may need to be filed at the bottom to fit the contour of the unit. For drywall more than 10-12mm in thickness, please make sure to use specified drywall anchors for installation. For drywall with thickness less than 10-12mm, please make sure to install the brackets on the stud.

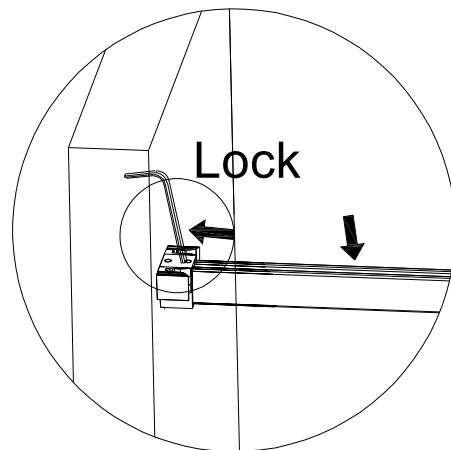
Step 4: Use a drill bit to drill screw holes and putting silicone inside holes before inserting anchors.



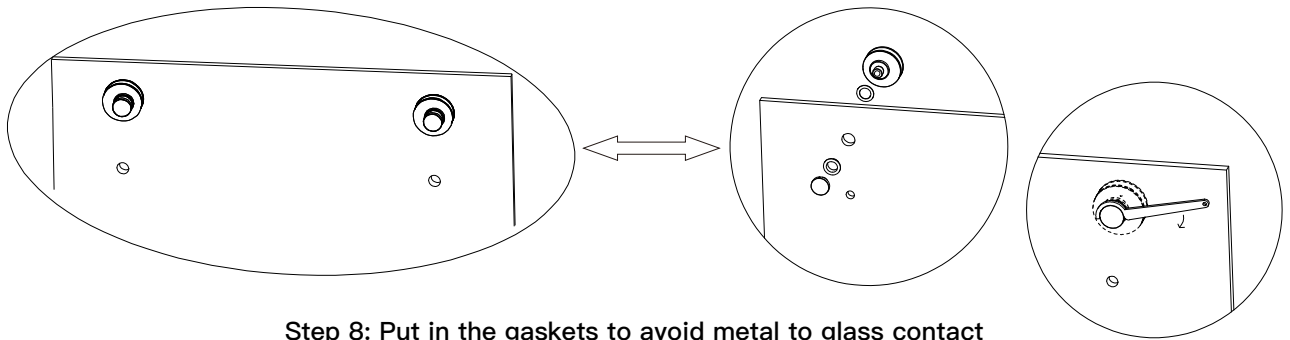
Step 5: Inserting the plastic anchors with mallet and cut off excess plastic.



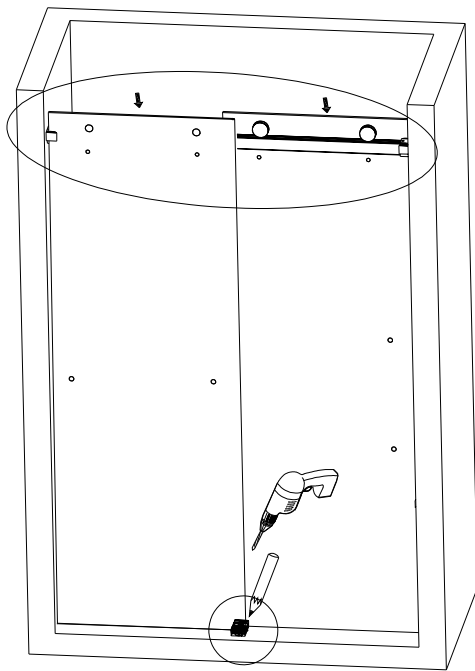
Step 6: Fix the guide rail end cap with screws.



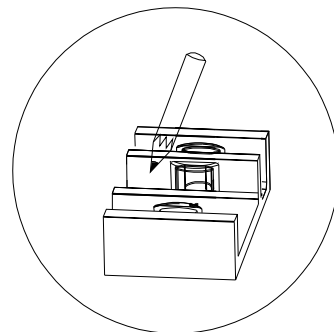
Step 7: Fix the end cap at both ends of the guide rail, tighten and secure the guide rail.



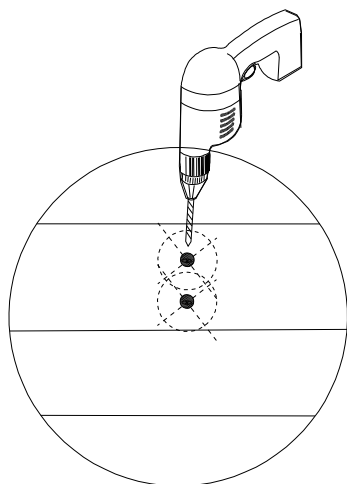
Step 8: Put in the gaskets to avoid metal to glass contact before install and fix the hanging wheels on the glass.



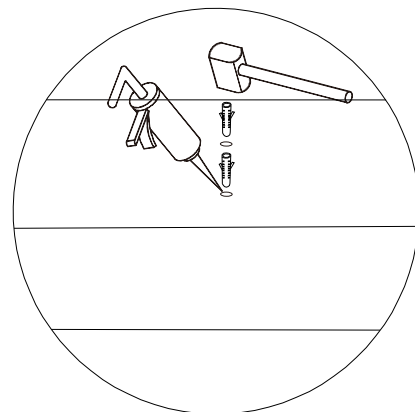
Step 9: Install the hanging wheels on the glass onto the guide rail separately.



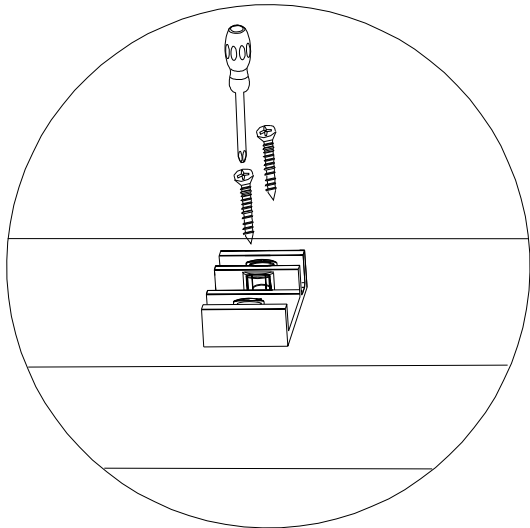
Step 10: Place the floor guide in the bottom middle position and mark the screw hole position. (make sure glass is plumb)



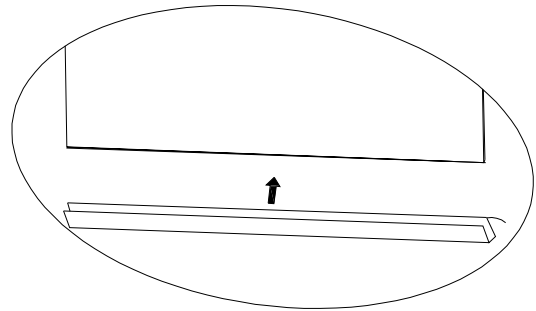
Step 11: Use a drill bit to drill screw holes and putting silicone inside holes before inserting anchors.



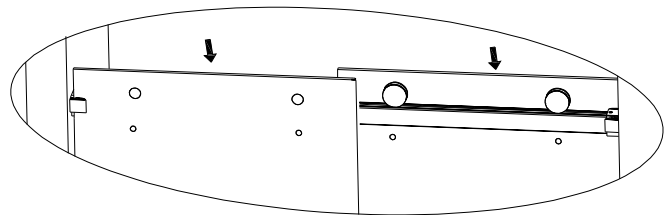
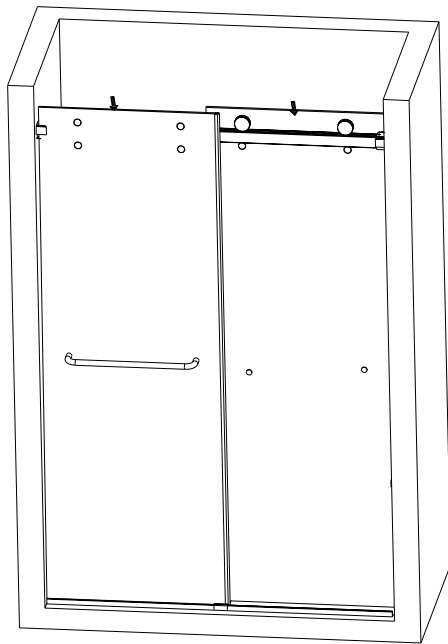
Step 12: Inserting the plastic anchors with mallet and cut off excess plastic.



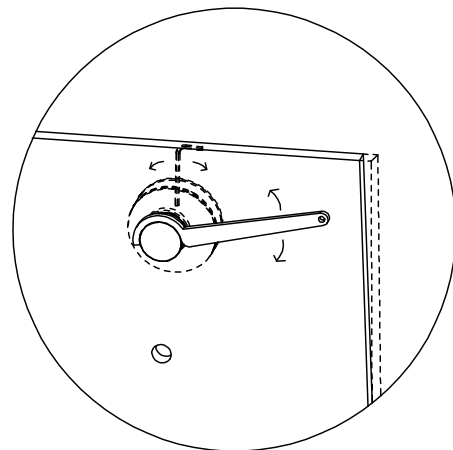
Step 13: Secure the floor guide with screws.



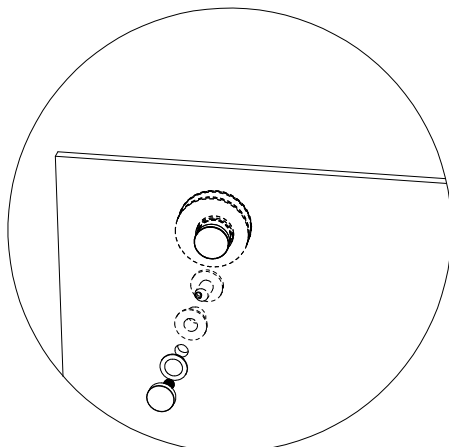
Step 14: Insert the bottom sweep into the bottom of the glass.



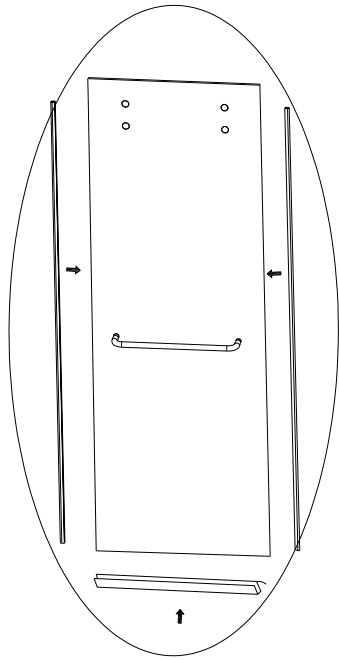
Step 15: Reinsert the hanging wheels onto the guide rail.



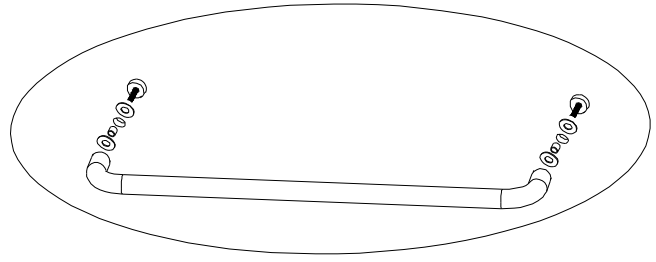
Step 16: Adjust the glass side to be parallel with the wall.



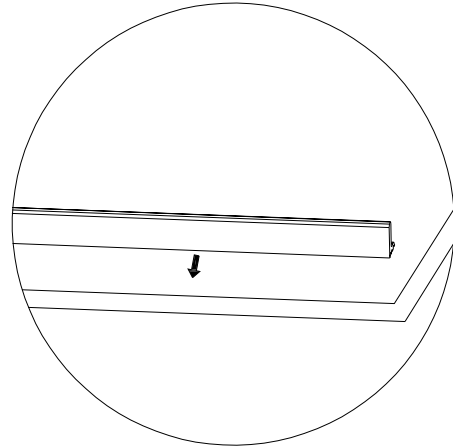
Step 17: Install anti-jump nail.



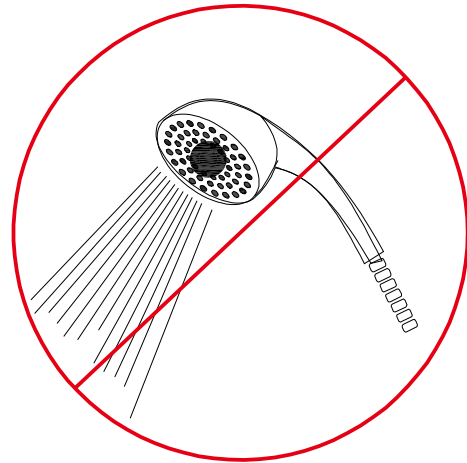
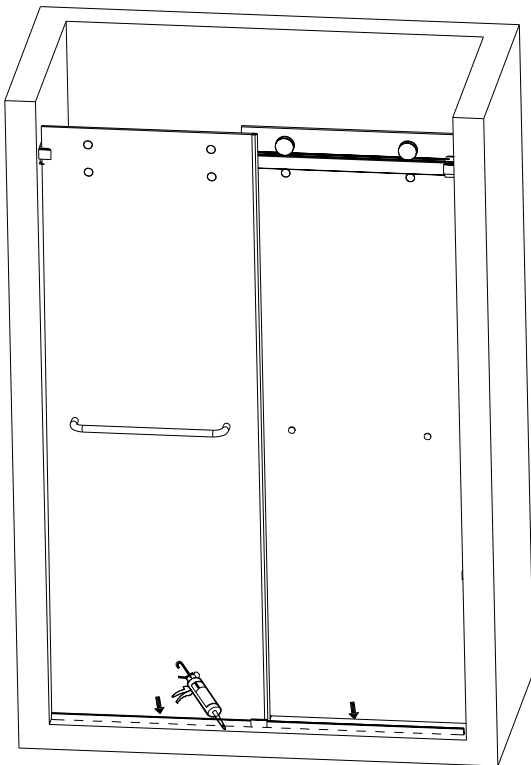
Step 19: Install bubble seal of the glass from both sides.



Step 18: Install the handle and towel bar.
(make sure to use the plastic washers in between metal and glass)



Step 20: Tear off the 3M double-sided adhesive tape of the waterproof aluminum threshold and stick it to the floor.
(align with the floor guide)



24 Do Not Use
HOURS

Final Step : Caulk both inside and outside of the floor guide and threshold.
Keep the entire area dry for a minimum of 24 hours.
Your installation is now complete.