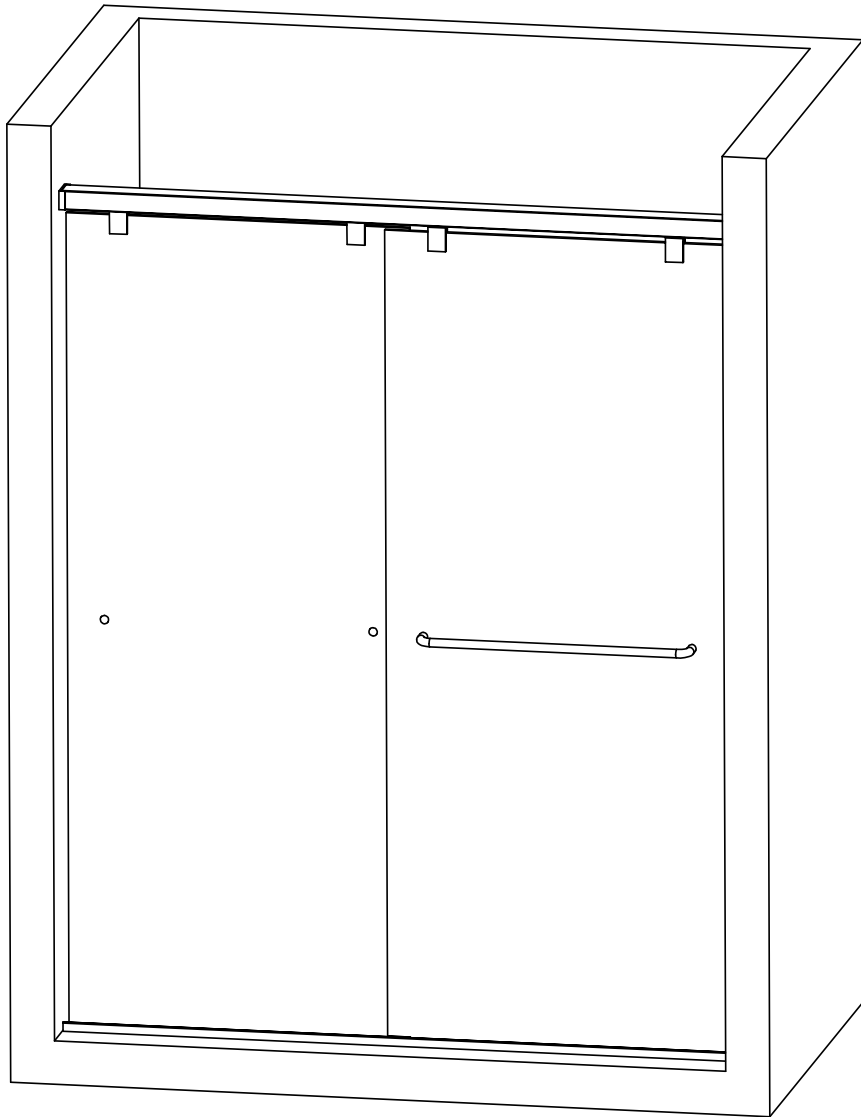


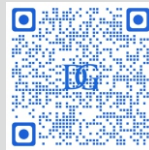
# P-MONA

GLASS & HARDWARE

## INSTRUCTION MANUAL



**2 People Required**



**Scan for  
Installation  
Video**

**Please keep this manual and the product code number for future reference and to order replacement parts if necessary**

### GENERAL INSTRUCTIONS

- Please read this manual carefully and thoroughly before proceeding.
- For your safety, it is recommended that you wear safety glasses at all times during installation.

### INSTALLATION OVER CERAMIC TILES

- If you are installing the shower door over ceramic tiles, make sure that the tiles lay completely under the wall jamb.

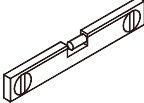
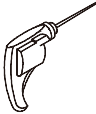
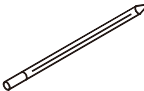

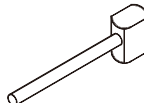

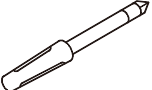
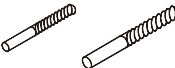
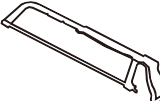

### NOTICE

- Some models are equipped with clear sealing gaskets.

### CARE FOR YOUR SHOWER DOOR

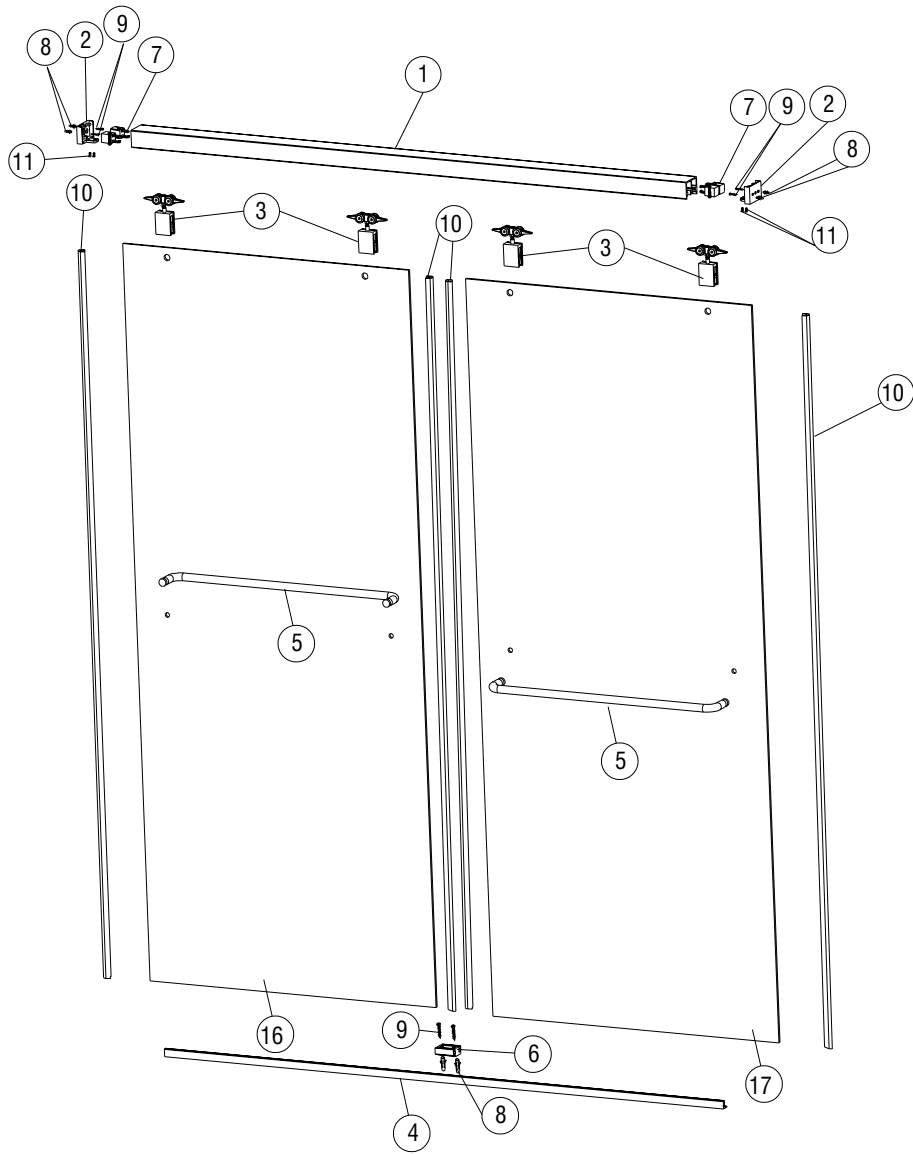
- Do not use scouring powder pads or sharp instruments on metal pieces or glass panels.
- To keep the panels and metal parts looking new, occasionally wipe them down with a mild soap diluted in water.
- We recommend wiping the glass panels with a squeegee after each use.

## TOOLS REQUIRED

 SPIRIT LEVEL	 POWER DRILL	 PENCIL	 SILICONE	 MALLET
 TAPE MEASURE	 SCREW DRIVER	 1/4"(6mm) DRILL BITS	 HACKSAW	 SAFETY GLASSES

\* Use a 1/4"(6mm) drill bit for ceramic when drilling into ceramic tiles.

## PARTS LIST



ITEM	PARTS	DIAGRAM	QTY
①	Guide rail		1
②	Wall mount bracket		2
③	Roller		4
④	Bottom threshold		1
⑤	Tower bar		2
⑥	Floor guide		1
⑦	Stopper		4
⑧	Plastic plug		8

ITEM	PARTS	DIAGRAM	QTY
⑨	Self-tapping screw		8
⑩	Side PVC seal		2
⑪	Bracket fastening screw		6
⑫	Tighten tool		1
⑬	Tighten tool		1
⑭	Tighten tool		1
⑮	Tighten tool		1
⑯	Clear glass		1
⑰	Clear glass		1

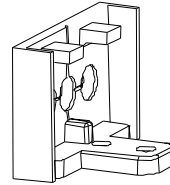
## PARTS SHOW

①



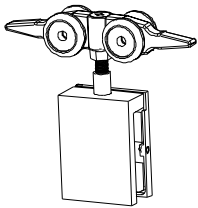
- Z-855-A
- Guide rail
- Aluminium

②



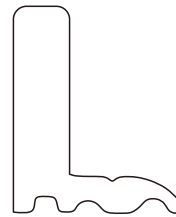
- Z-855-P2
- Wall mount bracket
- 304 Stainless steel

③



- Z-816-D
- Roller  $\phi$ 23 mm
- Brass

④



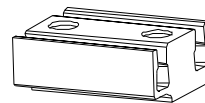
- Z-889-L
- Bottom threshold
- Aluminium

⑤



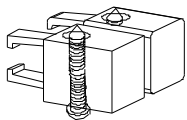
- Z-SUS5321\*0.7
- Tower bar
- 304 Stainless steel

⑥



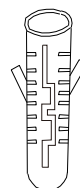
- Z-855-G10
- Floor guide
- Black POM

⑦



- Z-812-G
- Stopper
- Nylon

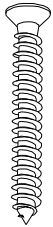
⑧



- Plastic plug
- 6mm swell
- Nylon

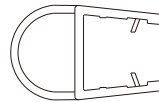
## PARTS SHOW

9



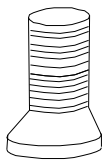
- Self-tapping screw
- M5\*51mm
- 304 Stainless steel

10



- Z-5708-10
- Side waterproof seal
- PVC

11



- 4210M6\*1\*12
- Fastening screw
- 304 Stainless steel

12



- Allen tighten tool
- 1.5mm
- Iron

13



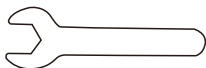
- Allen tighten tool
- 2mm
- Iron

14



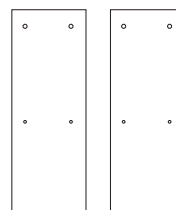
- Allen tighten tool
- 3.9mm
- Iron

15



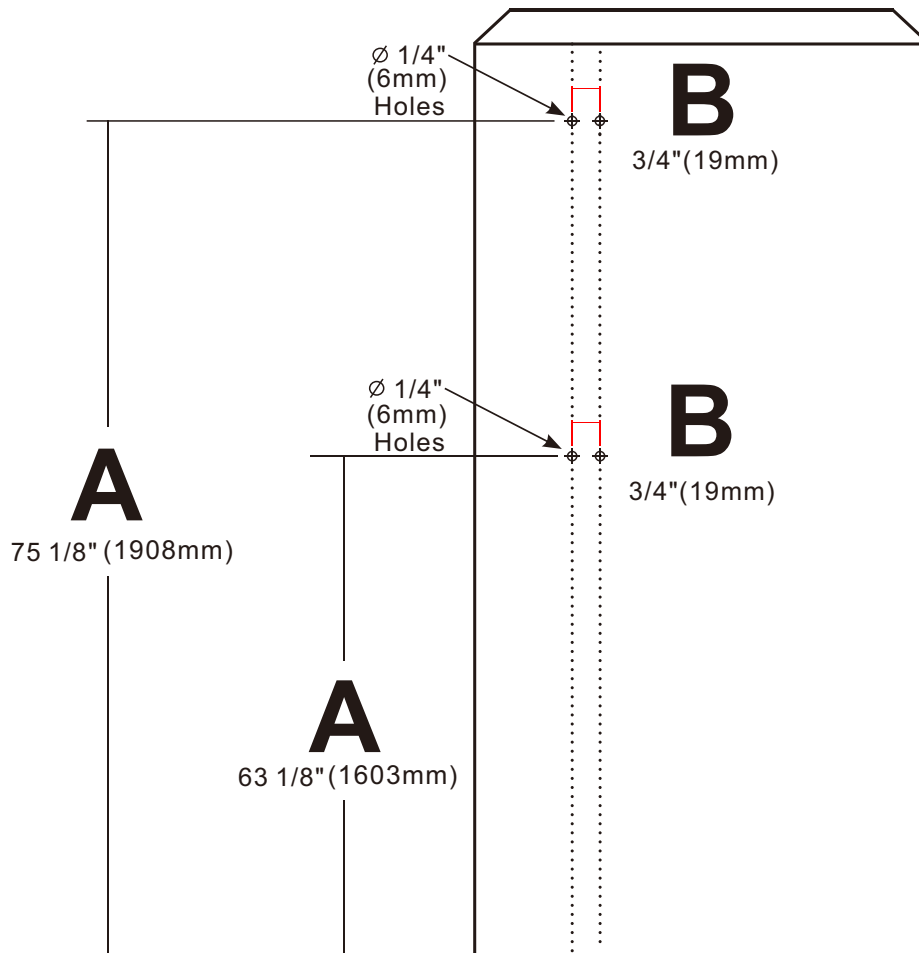
- Z-885-T
- Tighten tool
- Iron

16 17



- 10NA
- Clear glass
- Nano-coating

# DRILLING GUIDE

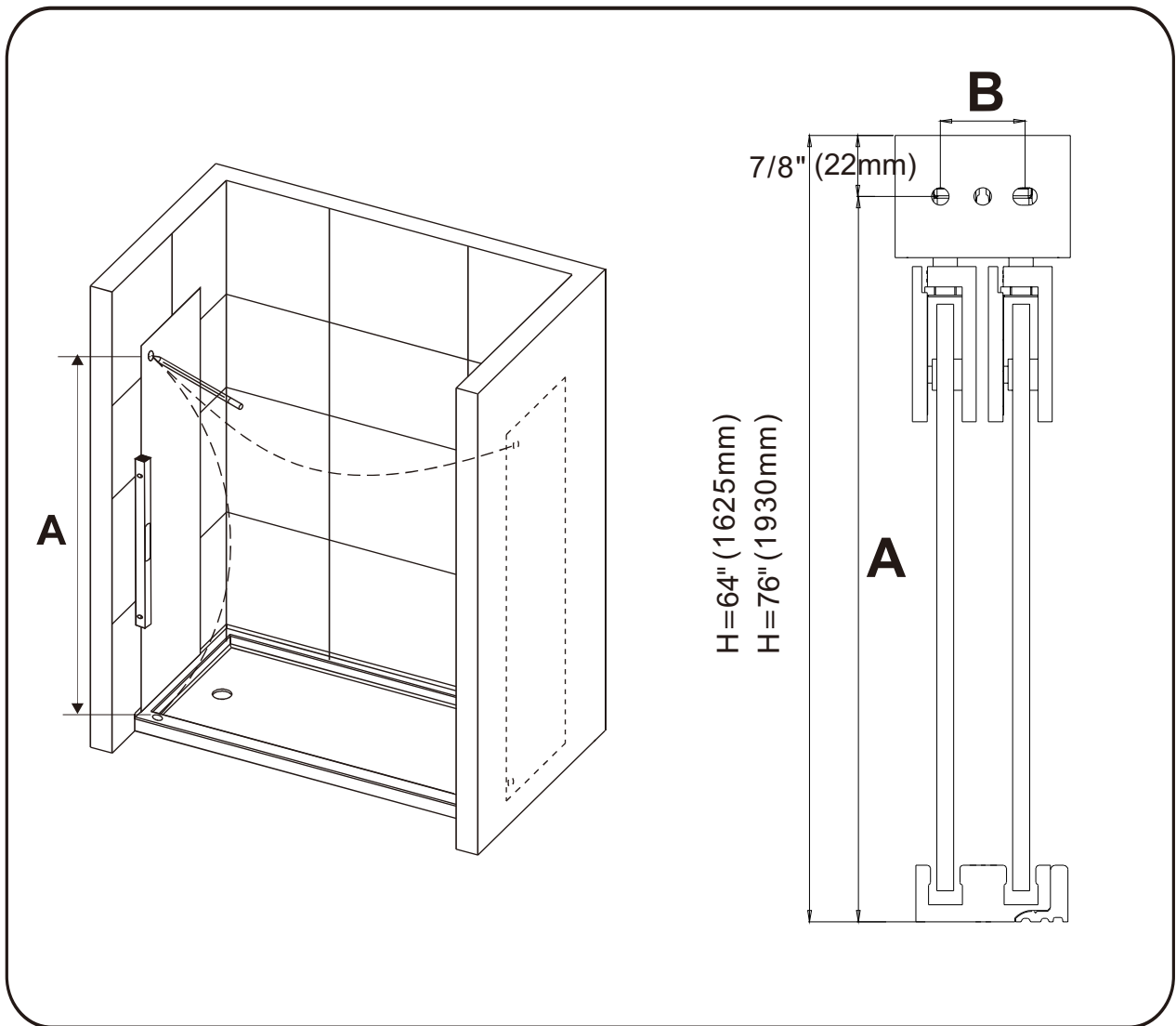


Product Height	A	B
64"(1625mm)	63 1/8"(1603mm)	3/4"(19mm)
76"(1930mm)	75 1/8"(1908mm)	

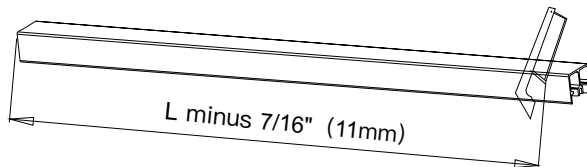
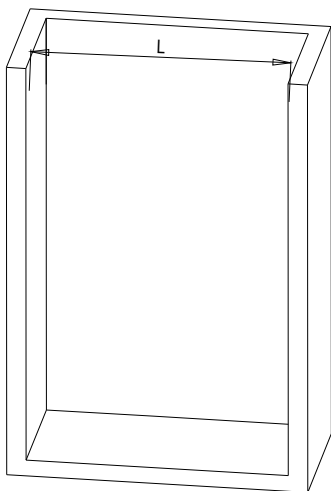
- \* A=Floor to First Hole
- \* Please contact your local dealer if the size is not listed.

**ATTENTION**

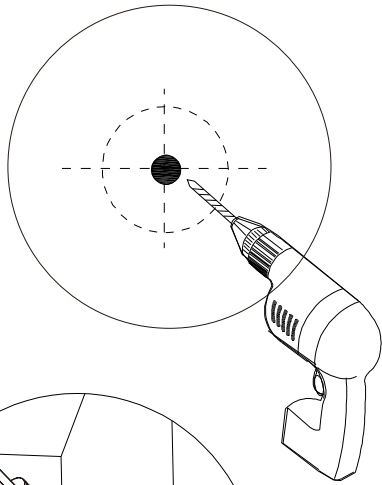
Please verify the measurements with a tape Measure before drilling any holes in the wall.



**INSTALLATION INSTRUCTIONS**



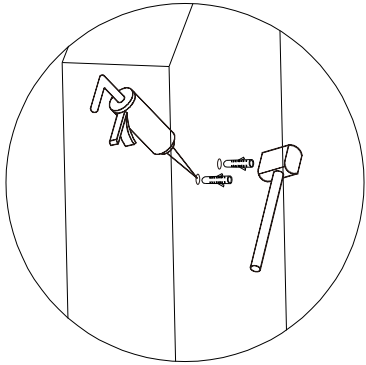
**Step 1: Measure the width of the shower room,  
Cut the length of the guide rail.**



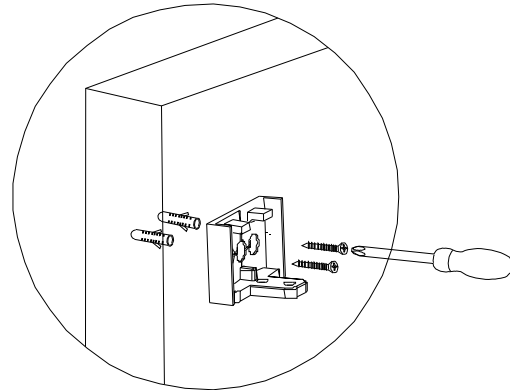
**Step2: Use a drill bit to drill screw holes and putting silicone inside holes before inserting anchors.**

**NOTE:** When drilling into ceramic, glass or stone use a 1/4" MASONRY drill bit, When installing on fiberglass or acrylic use a 1/8" drill bit and discard the wall plugs. When installing on Fiberglass or Acrylic the side jambs may need to be filed at the bottom to fit the contour of the unit.

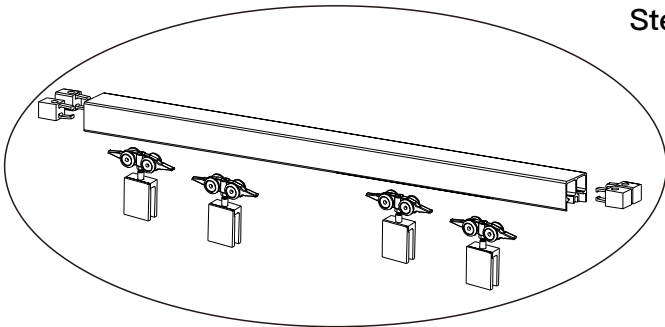
For drywall more than 10-12mm in thickness, please make sure to use specified drywall anchors for installation. For drywall with thickness less than 10-12mm, please make sure to install the brackets on the stud.



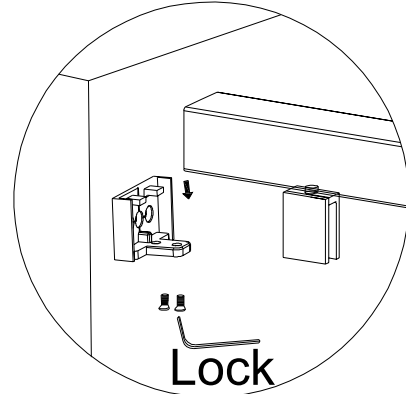
**Step 3: Inserting the plastic anchors with mallet and cut off excess plastic.**



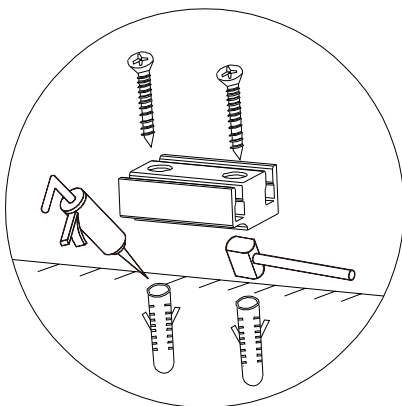
**Step 4: Fix the guide rail bracket with screws.**



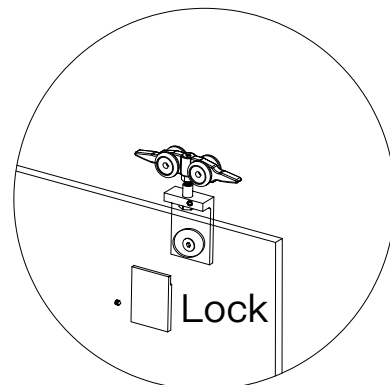
**Step 5: Insert the rollers and stoppers into the two sides of the guide rail according to the above diagram.**



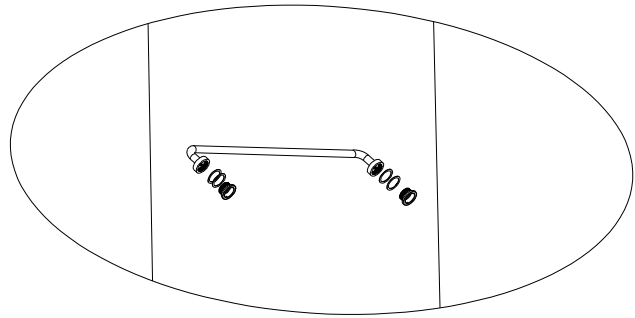
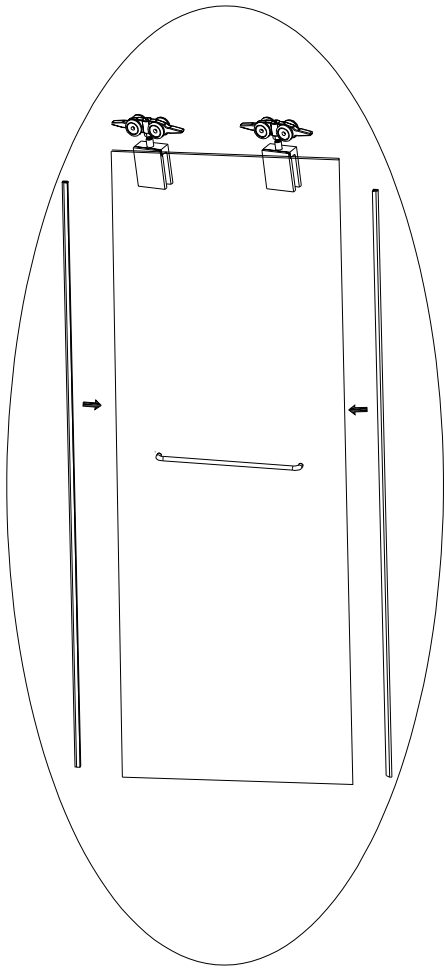
**Step 6: Insert the guide rail into the bracket on both sides and tighten the screws.**



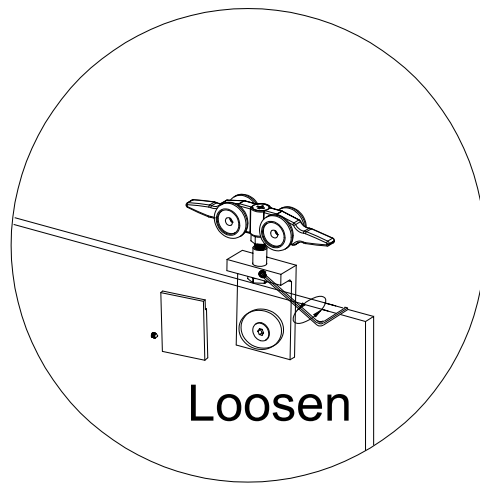
**Step 7: Mark the installation hole of the floor guide, drill the hole, then insert the plastic anchors with mallet and cut off excess plastic, finally tighten the screws.**



**Step 8: Insert the glass door into the roller clamp and tighten the screw to secure the glass.**

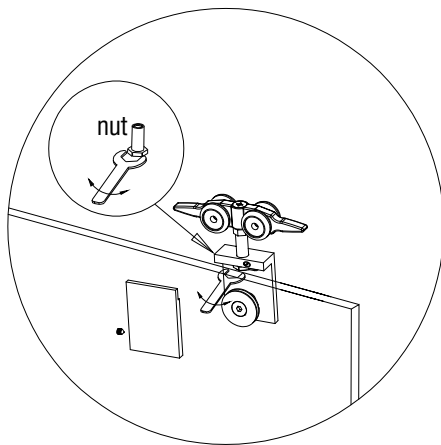


**Step 9:** Make sure to use the plastic washers in between metal and glass before install the towel bar.

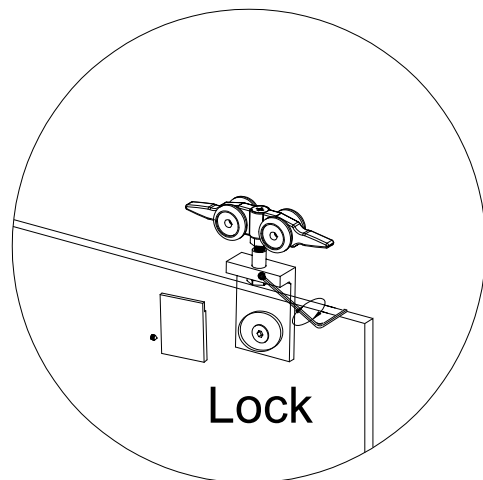


**Step 10:** Install the waterproof seal on both sides of the sliding door.

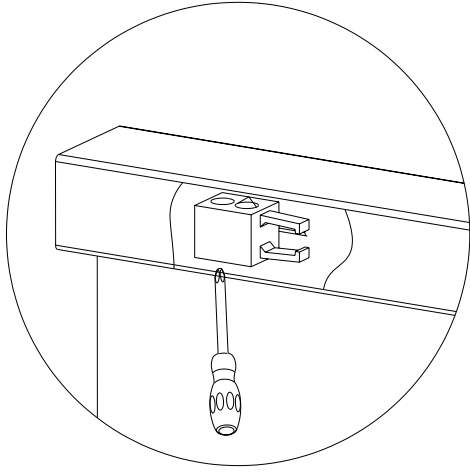
**Step 11:** Loosen the set screws.



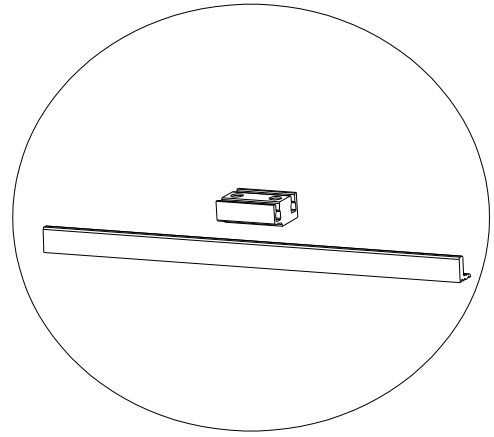
**Step 12:** Adjust the perpendicularity between the glass and the wall with a small wrench.



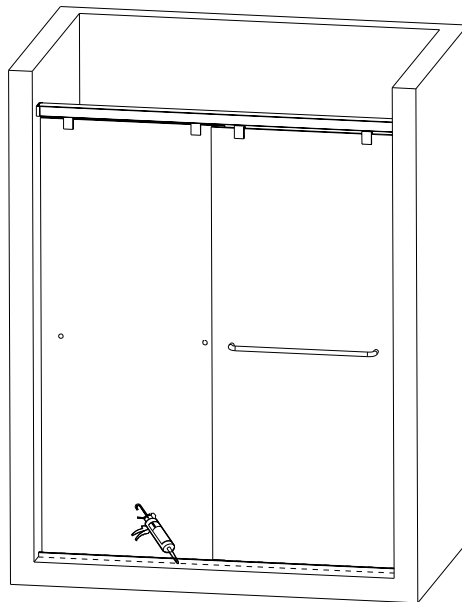
**Step 13:** Lock the set screws tightly and tighten the nut.



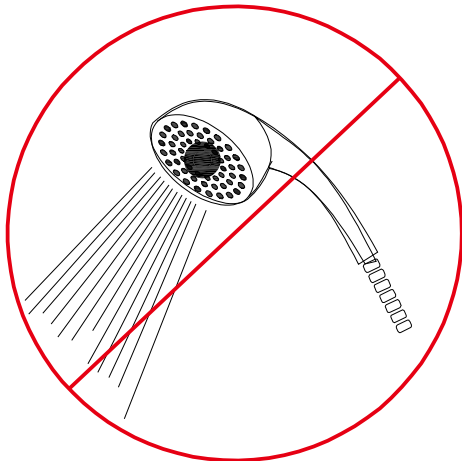
**Step 14:** Adjust the position of the stopper, and secure it with the locking screw.



**Step 15:** Tear off the double-sided tape of the threshold, align the guide, then insert the threshold and flatten the floor.



**Final Step :** Caulk inside and outside of the floor guide and threshold.  
Keep the entire area dry for a minimum of 24 hours.  
Your installation is now complete.



**24** Do Not Use  
**HOURS**